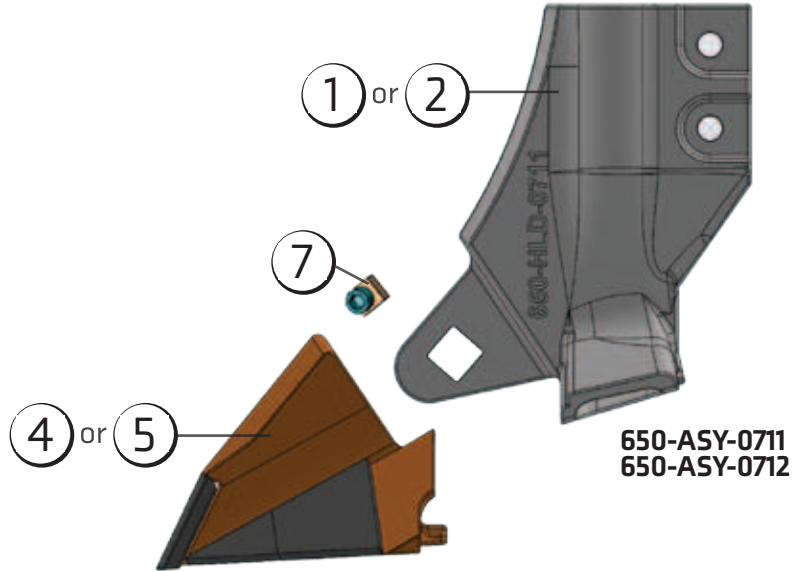


# JOHN DEERE 1870 CONSERVA PAK\*

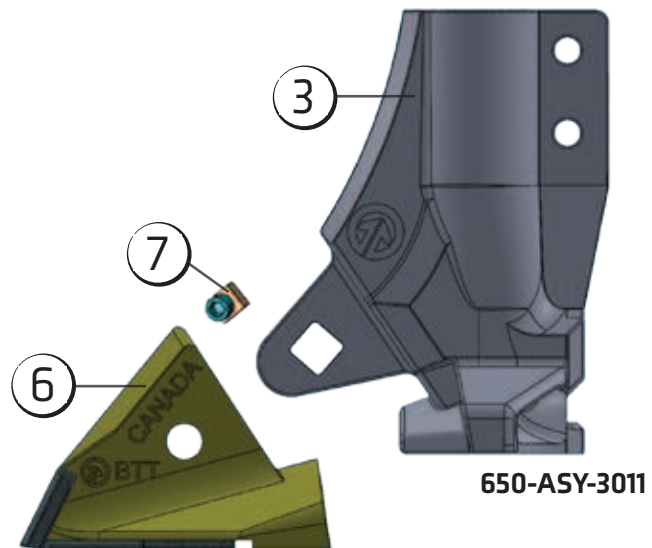
SINGLE SHOOT PAGE 44



PART#		G	G	G
		650-ASY-0711	650-ASY-0712	650-ASY-3011
1	650-HLD-0711	■		
2	650-HLD-0712		■	
3	650-HLD-3000			■
4	612-TIP-0711	■		
5	612-TIP-0712		■	
6	200-TIP-3011			■
7	200-BNC-3100	■	■	■

**ASSEMBLIES ON THIS PAGE  
INCLUDE THE TIP.**

**NOTE:** These openers are available with liquid phosphorus options, please call the factory for more details.



\*All product and company names are trademarks™ or registered® trademarks of their respective holders. Use of them does not imply any affiliation with or endorsement by them. John Deere and 1870 Conserva Pak are the registered trademarks of Deere & Company.