



## 410-QCA-5050

THIS SPEED-LOC™ ADAPTER FITS:  
**KVERNELAND (CLD GRUBBER) SHANKS**

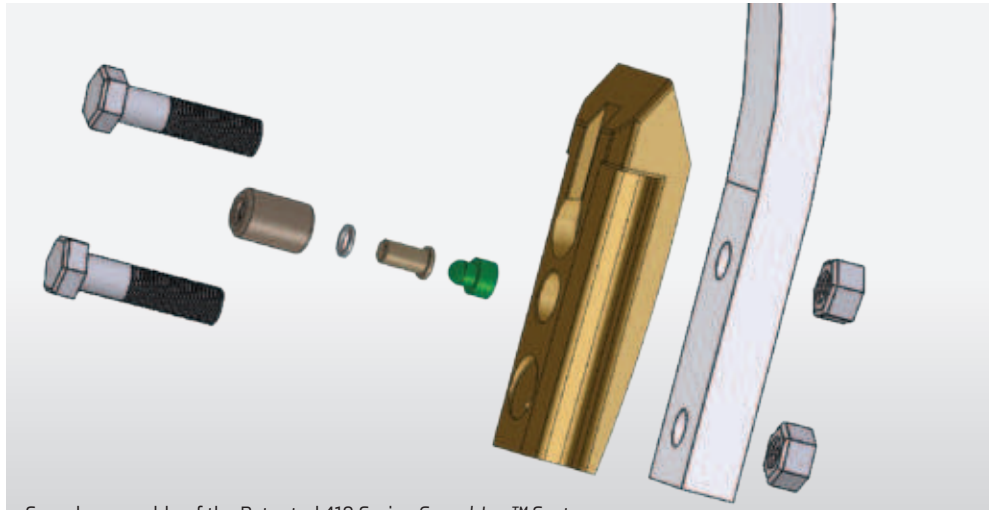
- Fits Kverneland (CLD Grubber) shanks.
- 45 mm center to center bolt hole spacing.
- M12-DIN608 10.9 plow bolts.

## Don't forget the Speed Release Tool



### 200-REL-1010

The speed-release tool must be used to remove 200 and 410 Series sweeps and opens off the Speed-Loc™ adapters.



Sample assembly of the Patented 410 Series Speed-Loc™ System

## SPEED-LOC™ REPLACEMENT PARTS

 <p><b>200-SLC-1001</b> Replacement bushing for all 200 Series adapters as well as the 410-QCA-5050. Comes complete with dust seal.</p>	 <p><b>200-SLC-1010</b> Replacement dust seal for all 200 and 410 Series Speed-Loc™ adapters.</p>	 <p><b>200-SLC-1020</b> Replacement locking pin for all 200 and 410* Series adapters. <i>*After Nov. 1/08</i></p>	 <p><b>200-SLC-1030</b> Replacement spring ball for the 200-QCA-4700 adapters.</p>
 <p><b>200-SLC-1035</b> Replacement spring ball for the 200-QCA-4710, 200-QCA-5000 and 200-QCA-5010 adapters.</p>	 <p><b>200-SLC-1037</b> Replacement spring ball for the 200-QCA-5020 and 410-QCA-5050 adapters.</p>	 <p><b>200-SLC-1038</b> Replacement spring ball for 200-QCA-5020 adapter for special applications.</p>	 <p><b>200-SLC-1039</b> Replacement spring ball for 200-QCA-5030 adapters.</p>
 <p><b>410-SLC-1001</b> Replacement bushing for the 410-QCA-5000, 410-QCA-5010 and 410-QCA-5020. Comes complete with dust seal.</p>	 <p><b>410-SLC-1022*</b> Replacement locking pin for all the 410 Series adapters* Go to 200-SLC-1020 if 410 Series adapter was purchased after Nov. 1/08.</p>	 <p><b>410-SLC-1030</b> Replacement spring ball for the 410-QCA-5000, 410-QCA-5010 and 410-QCA-5020.</p>	 <p><b>410-SLC-1050</b> Complete replacement package for the 410 Series, includes bushing, spring ball, pin and dust seal.</p>

*\*Prior to Nov. 1/08*