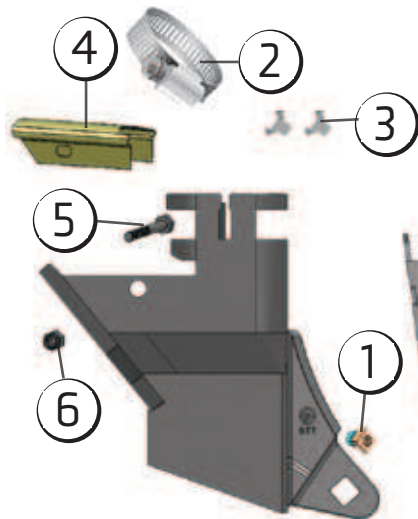


VOS (VERSATILE OPENER SYSTEM)

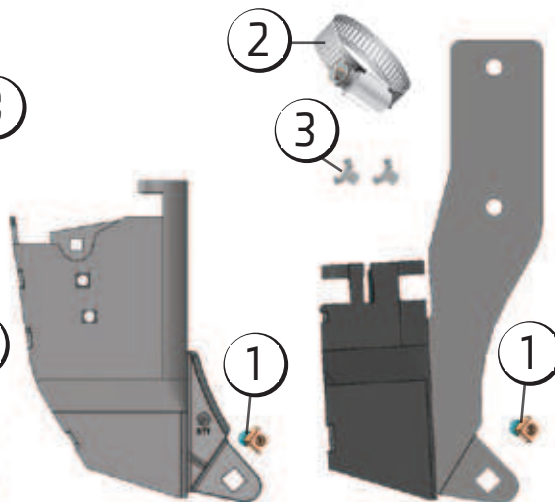
PAGES 60-61

HOLDERS:



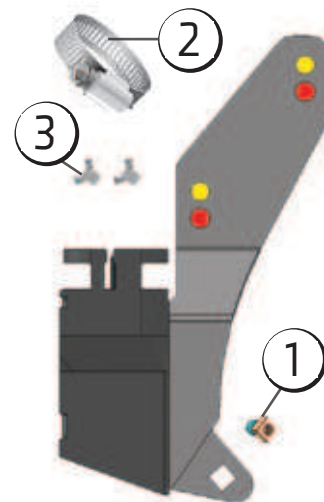
610-HLD-2080

FITS C-SHANK



673-HLD-2080

*FITS EDGE ON,
BOURGAULT PHD
& MORRIS MAXIM*



683-HLD-2080

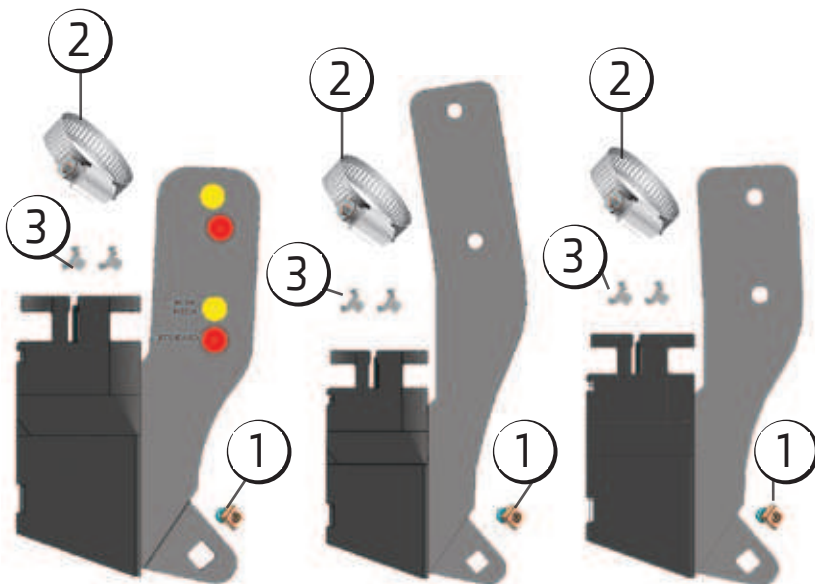
FITS MORRIS CONTOUR I

684-HLD-2080

*FITS CASE IH 800, NH P2070 &
FLEXI-COIL PD5070*

**WHEN INSTALLING OPENERS ON
CASE IH 800, NH P2070 &
FLEXI-COIL PD5070
YOU HAVE 2 OPTIONS SHOWN
ABOVE**

- Standard installation
- 1.5" more depth



688-HLD-2080

*FITS HORSCH 84° SHANK
WHEN INSTALLING OPENERS ON
HORSCH 84° SHANKS
YOU HAVE 2 OPTIONS SHOWN
ABOVE*

- Standard installation
- 3° more pitch

693-HLD-2080

FITS MORRIS CONTOUR II

694-HLD-2080

*FITS CASE IH ATX 700,
NEW HOLLAND P2060,
FLEXI-COIL 5500
& CONCORD*

PART#		610-HLD-2080	673-HLD-2080	683-HLD-2080	684-HLD-2080	688-HLD-2080	693-HLD-2080	694-HLD-2080
1	200-BNC-3100	■	■	■	■	■	■	■
2	880-HCL-1828	■	■	■	■	■	■	■
3	880-HCL-0001	■	■	■	■	■	■	■
4	610-CAP-1080	■						
5	942-HRG-2004	■						
6	908-NNI-2504	■						