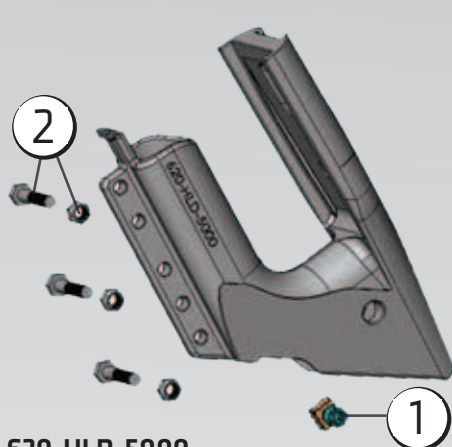
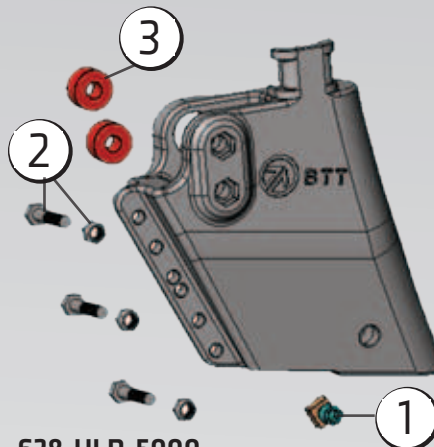


TITAN OPENER SYSTEM PAGES 57-59

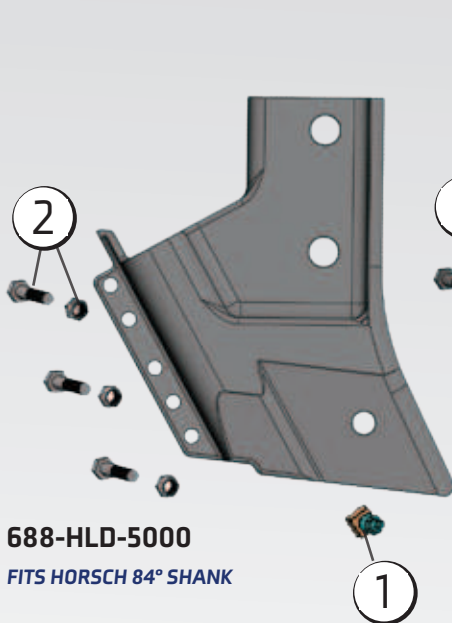
HOLDERS:



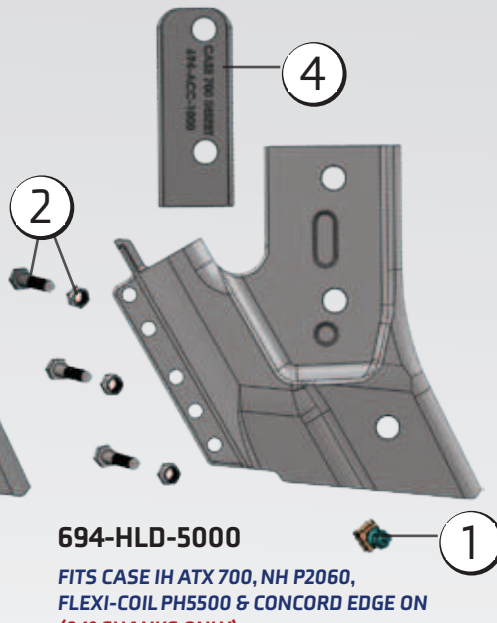
620-HLD-5000
FITS 47° AND 50 ° C-SHANK



628-HLD-5000
FITS MORRIS MAXIM EDGE ON & BOURGAULT PHD SHANKS



688-HLD-5000
FITS HORSCH 84° SHANK

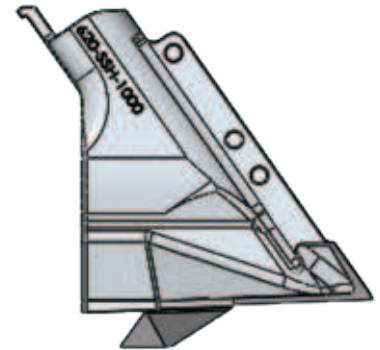


694-HLD-5000
FITS CASE IH ATX 700, NH P2060, FLEXI-COIL PH5500 & CONCORD EDGE ON (84° SHANKS ONLY)

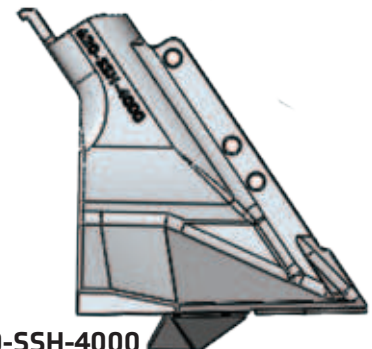
NOTES : 694-HLD-5000 requires 694-ACC-1000 when installed on any drill except the Concord.

		620-HLD-5000	628-HLD-5000	688-HLD-5000	694-HLD-5000
1	200-BNC-3100	■	■	■	■
2	620-BNC-3100	■	■	■	■
3	628-BSH-1000		■		
4	694-ACC-1000			■	

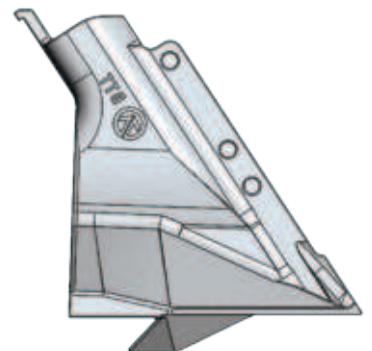
SEED SHOES/BOOT:



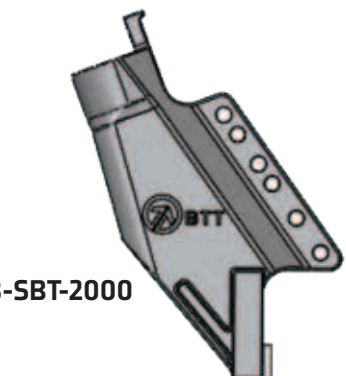
620-SSH-1000



620-SSH-4000



620-SSH-6000



628-SBT-2000