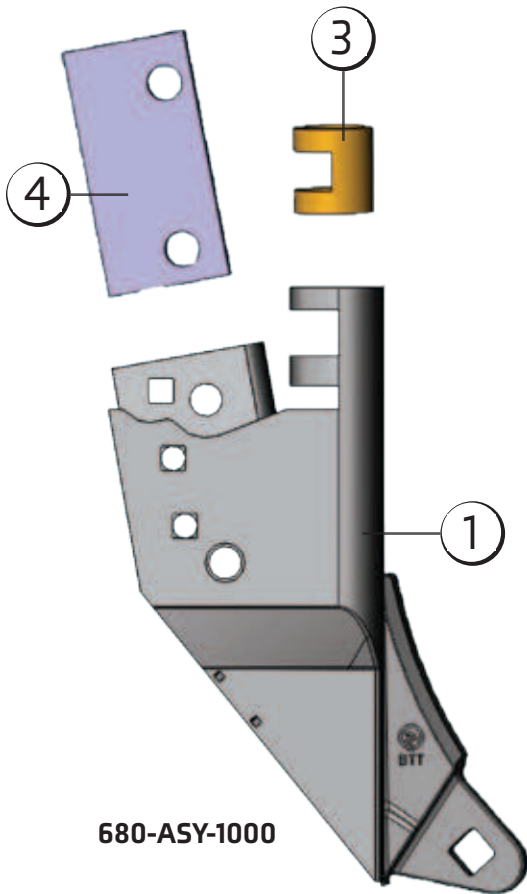
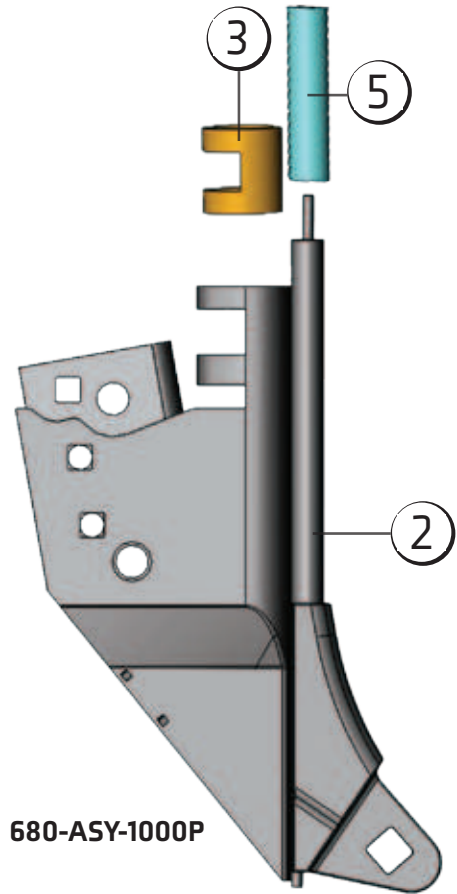


680-ASY-1000 & 680-ASY-1000P

SINGLE SHOOT PAGES 30 & 46



680-ASY-1000

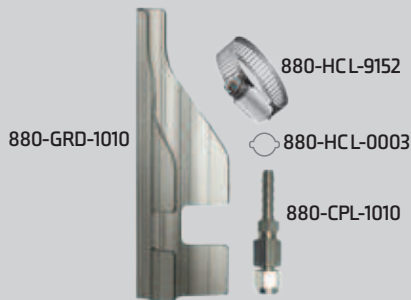


680-ASY-1000P

880-ASY-1010

NOTE: This assembly is required to convert the standard 3/16" O.D. liquid phosphorus tube to 1/4" I.D. Liquid Phosphorus delivery hoses.

Sold Separately.



NOTES :

* 680-ACC-0001 is only required when installing on Concord. **Not included in Assembly.** See page 107 for more information.

** 680-HOS-1000 is a 6" x 1/2" O.D. NH3 hose.

TIP OPTIONS : 200-TIP-0511, 200-TIP-0800, 200-TIP-0801, 200-TIP-0802, 200-TIP-0803, 200-TIP-0811, 200-TIP-1011, 200-TIP-2011, 200-TIP-3000, 200-TIP-3001, 200-TIP-3011, 200-TIP-4011 *Tips sold separately.*

See page 14-15 for more information.

		PART#	
		680-ASY-1000	680-ASY-1000P
1	680-HLD-1000	■	
2	680-HLD-1000P		■
3	880-BSH-1130	■	■
4	680-ACC-0001*	■	■
5	680-HOS-1000**	■	■