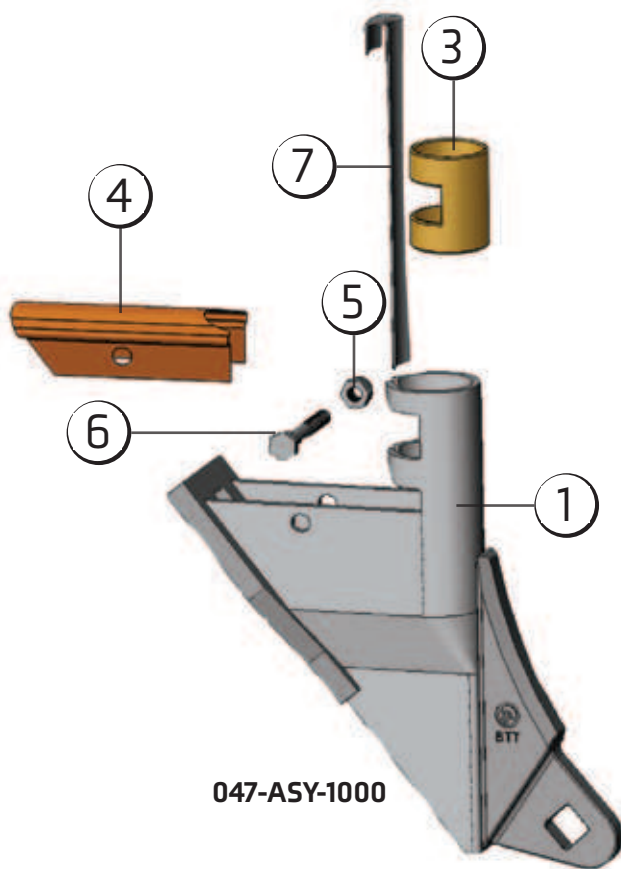
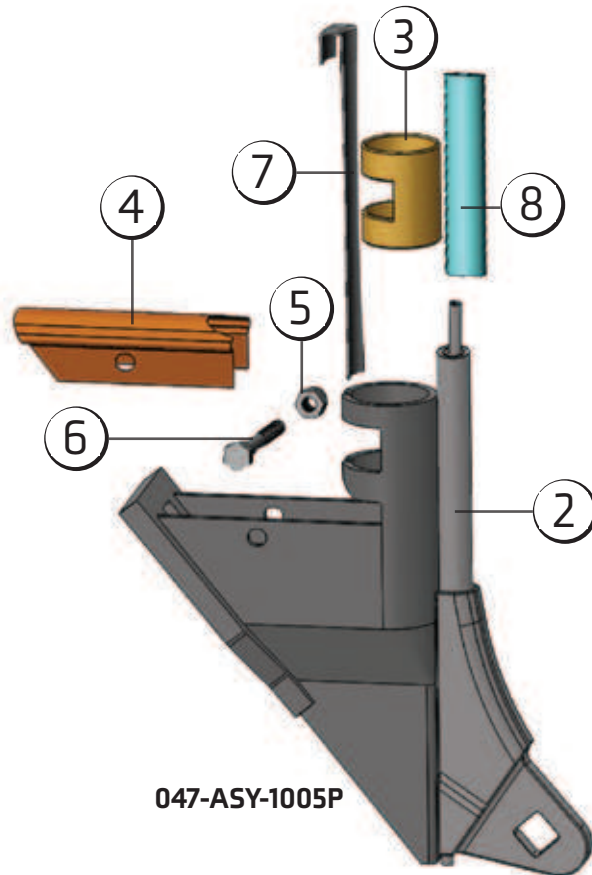


047-ASY-1000 & 047-ASY-1005P

SINGLE SHOOT PAGE 24



047-ASY-1000



047-ASY-1005P

PART#		047-ASY-1000	047-ASY-1005P
1	047-HLD-1000	■	
2	047-HLD-1005P		■
3	880-BSH-1130	■	■
4	047-CAP-1000	■	■
5	908-NNI-2504	■	■
6	942-HRG-2004	■	■
7	047-ACC-1001*	■	■
8	680-HOS-1000**		■

NOTES :

* Use focus strip 047-ACC-1001 for more concentrated seed placement.

** 680-HOS-1000 is a 6" x 1/2" O.D. NH3 hose.

Curved 50° shanks require either the 880-WDG-0300 or 880-WDG-0301. **Sold separately.** See page 106 for more details.

TIP OPTIONS : 200-TIP-0511, 200-TIP-0800, 200-TIP-0801, 200-TIP-0802, 200-TIP-0803, 200-TIP-0811, 200-TIP-1011, 200-TIP-2011, 200-TIP-3000, 200-TIP-3001, 200-TIP-3011, 200-TIP-4011 **Tips sold separately.**

See page 14-15 for more information.

880-ASY-1010

NOTE : This assembly is required to convert the standard 3/16" O.D. liquid phosphorus tube to 1/4" I.D. Liquid Phosphorus delivery hoses.

Sold Separately.

