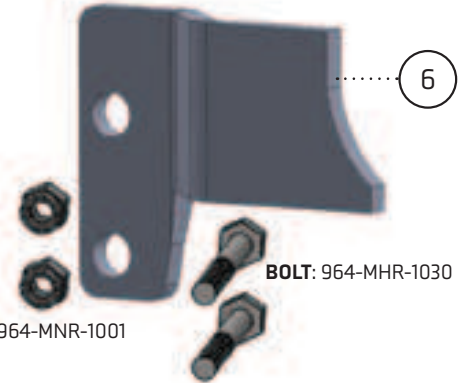
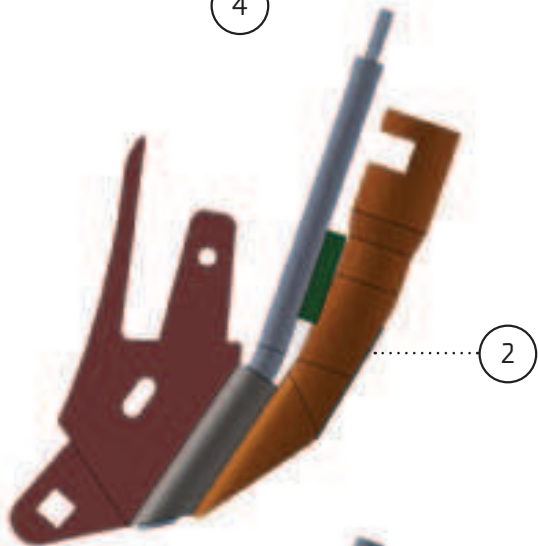
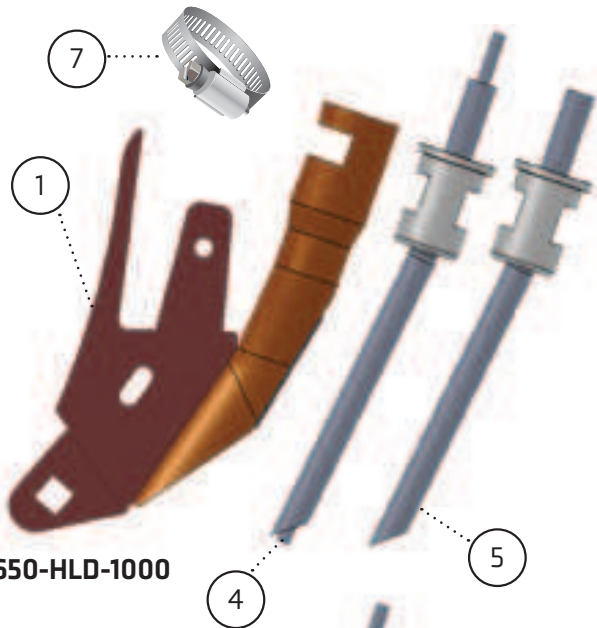


JOHN DEERE 1870 CONSERVA PAK*

FERTILIZER KNIVES



NOTE: The metric bolts needed to install this bracket are included. To see this bracket installed properly see page 48.

| PART# | | 650-HLD-1000G | 650-HLD-1000L | 650-HLD-1000N | 650-HLD-1000GL | 650-HLD-1000GN |
|-------|--------------------|---------------|---------------|---------------|----------------|----------------|
| 1 | 650-HLD-1000 | ■ | ■ | ■ | | |
| 2 | 650-HLD-1001 (G+L) | | | | ■ | |
| 3 | 650-HLD-1002 (G+N) | | | | | ■ |
| 4 | 650-TUB-1002 | | ■ | | | |
| 5 | 650-TUB-1003 | | | ■ | | |
| 6 | 650-ACC-1000* | ■ | ■ | ■ | ■ | ■ |
| 7 | 880-HCL-8117 | ■ | ■ | ■ | ■ | ■ |

NOTES A: All above assemblies require hose clamp 880-HCL-8117 which is not shown but included.

* The bracket 650-ACC-1000 limits the tripping distance of these fertilizer knives. It is **not included in the assembly** and must be ordered separately. See page 89 for more information.

TIP OPTIONS: 200-TIP-0511
200-TIP-0801
200-TIP-0802
200-TIP-0803
200-TIP-0811

Tips sold separately.

See page 16-17 for more information.