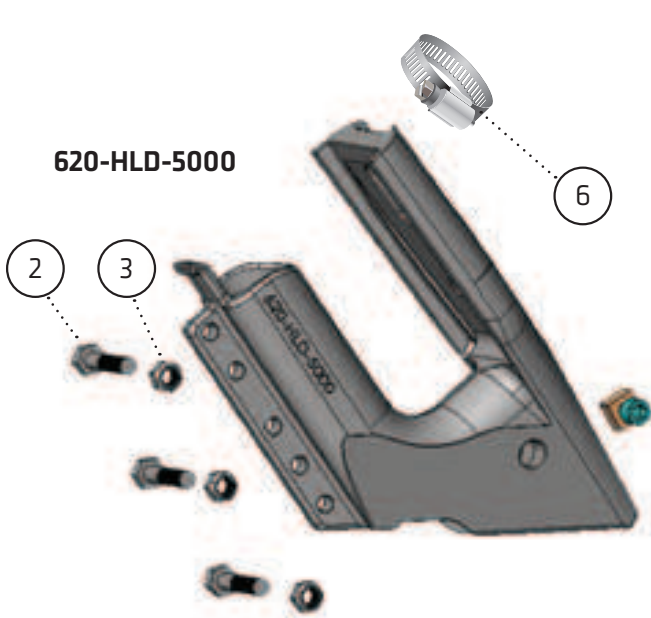
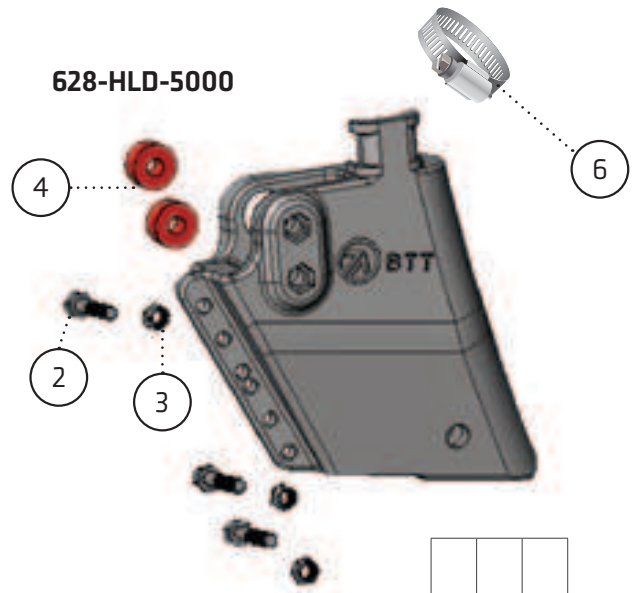


TITAN OPENER SYSTEM

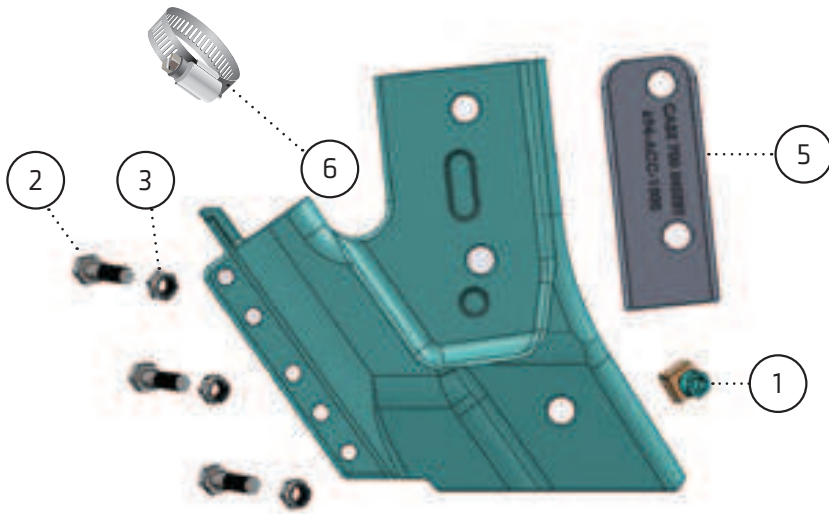
CHOOSE YOUR HOLDER:



620-HLD-5000



628-HLD-5000



694-HLD-5000

PART#		620-HLD-5000	628-HLD-5000	694-HLD-5000
1	200-BNC-3100	■	■	■
2	620-BLT-3100	■	■	■
3	906-NPT-3135	■	■	■
4	628-BSH-1000		■	
5	694-ACC-1000			■
6	880-HCL-5610	■	■	■

NOTES: 694-HLD-5000 requires 694-ACC-1000 when installed on any drill except the Concord.

CHOOSE YOUR SEED SHOE/BOOT:



620-SSH-1000



620-SSH-4000



628-SBT-2000