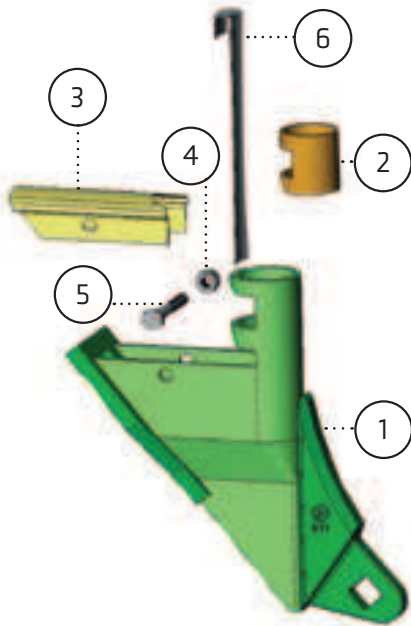


# 047-ASY-1000 & 047-ASY-1005P

## SINGLE SHOOT

### 047-ASY-1000



PART#		047-ASY-1000
1	047-HLD-1000	■
2	880-BSH-1130	■
3	047-CAP-1000	■
4	908-NNI-2504	■
5	942-HRG-2004	■
6	047-ACC-1001*	■

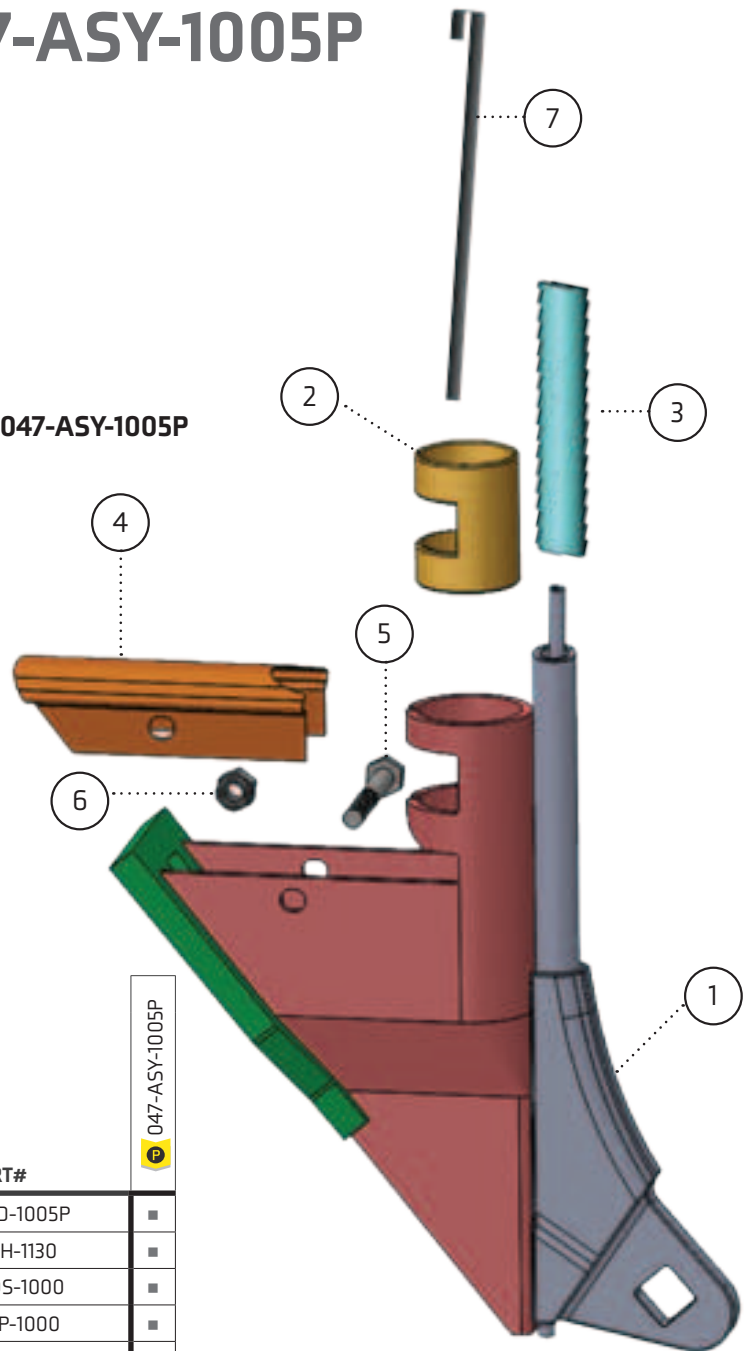
NOTES: \* Use focus strip for optimal performance. **Sold separately.**

TIP OPTIONS: 200-TIP-0511, 200-TIP-0800, 200-TIP-0801, 200-TIP-0802, 200-TIP-0803, 200-TIP-0811, 200-TIP-1011, 200-TIP-2011, 200-TIP-3000, 200-TIP-3001, 200-TIP-3011, 200-TIP-4011

Tips sold separately.

See page 16-17 for more information.

### 047-ASY-1005P



PART#		047-ASY-1005P
1	047-HLD-1005P	■
2	880-BSH-1130	■
3	680-HOS-1000	■
4	047-CAP-1000	■
5	942-HRG-2004	■
6	908-NNI-2504	■
7	047-ACC-1001*	■

NOTES: 680-HOS-1000 is a 6" x 1/2" NH3 hose.

50° shanks require either the 880-WDG-0300 or 880-WDG-0301.

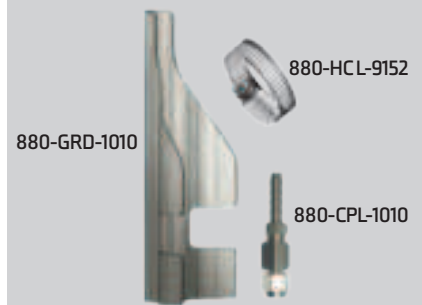
See page 88 for more information.

\* Use focus strip for optimal performance. **Sold separately.**

TIP OPTIONS: 200-TIP-0511, 200-TIP-0800, 200-TIP-0801, 200-TIP-0802, 200-TIP-0803, 200-TIP-0811, 200-TIP-1011, 200-TIP-2011, 200-TIP-3000, 200-TIP-3001, 200-TIP-3011, 200-TIP-4011 **Tips sold separately.**  
See page 16-17 for more information.

### 880-ASY-1010

NOTE: This assembly is required to convert the standard 3/16" O.D. liquid phos tube to 1/4" I.D. liquid phosphorus delivery hoses. **Sold Separately.**



880-HCL-9152

880-GRD-1010

880-CPL-1010