

# PAIRED ROW

## 610-TIP-4041

**Seed Placement:** Seed is directed rearward through the tip which places the seed in two rows onto a firm, unfractured seedbed.

**Fertilizer placement:** Fertilizer is delivered on the same level, between the two rows of seed. In less than ideal conditions, mixing between seed and fertilizer may occur.

*For precautions & risk factors please refer to page 34-35.*

**Disturbance:** Ultra-low draft, low disturbance and smoother fields.

**Replaceable tip:** Carbide on the nose with narrow carbide on the cutting edges of the wings for great penetration.

**Packer Recommendation:** 4" (101 mm) or wider.

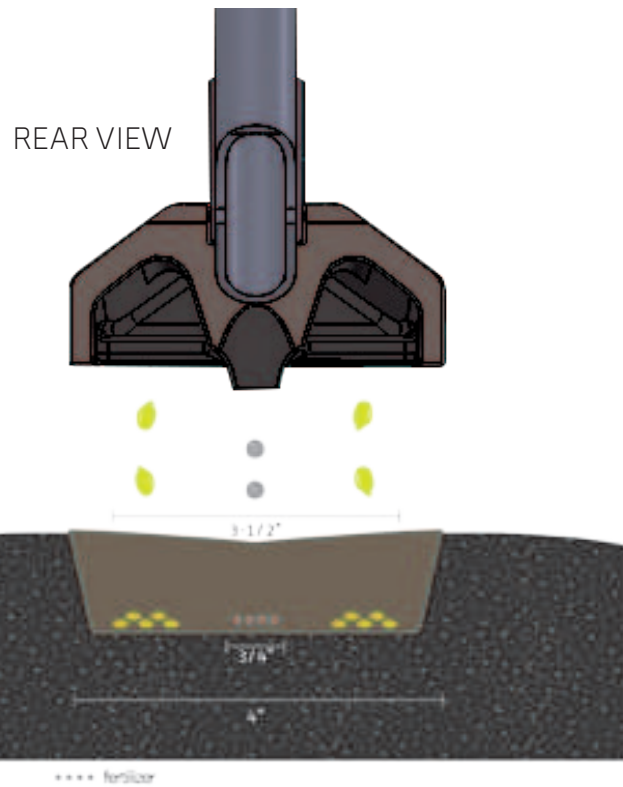
### Fertilizer Options:

 Granular

 Liquid



610-TIP-4041



*\*Drawing for illustration purposes only. All measurements shown are approximate. Results may vary with multiple factors including soil conditions, ground speed, application rates, fan speeds and more. In less than ideal conditions, mixing between seed and fertilizer may occur.*

*For more information please refer to our precautions and risk factors on page 34-35*